

FILTRATION

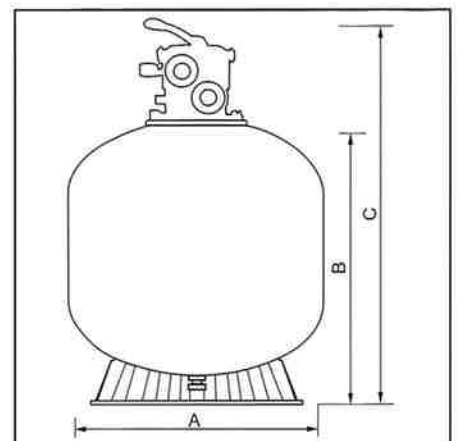
BOBBIN WOUND FILTERS

TOP-MOUNT VALVE SAND FILTERS

The JAZZI series top-mount valve sand filters will provide clean and clear water for commercial users. It provides more filtered water with less pump horsepower. The fiberglass winding design enables the filter to be durable, deforming-proof and corrosion resistant.

Features

- A unique and advanced design ensures fast draining and stabilizes water flow.
- The 6-position multi-port valve with a user-friendly handle easily provides you a maximum flow at low pressure drop.
- The sand filter is equipped with a precise pressure gauge.
- Efficient multi-lateral under drain assembly and self-cleaning laterals give totally balanced flow and back washing.
- It is easy to install and to maintain.
- The outlet turbidity is less than 2FTU.
- Working pressure is 2.5 kgf/cm².



Code	Model	Design Flow m ³ /h	Filtration area m ²	Pipe size inch	Sand Required kg	Ctn. Qty.	G.W kg	Dimension mm
040116	T400-16 "	6.7	0.13	1.5	50	1	11.7	430x430x770
040118	T450-18 "	8.2	0.17	1.5	75	1	13.5	460x460x840
040121	T500-21 "	10.8	0.22	1.5	90	1	15.3	540x540x865
040122	T550-22 "	12.5	0.25	1.5	110	1	19.7	540x540x865
040125	T650-25 "	16.4	0.36	1.5	170	1	20.0	660x660x725
040128	T700-28 "	21.3	0.41	1.5	190	1	3.00	280x280x335
						1	21.1	720x730x740
040130	T750-30 "	24.2	0.45	2.0	210	1	3.00	280x280x335
						1	24.5	730x740x780
040133	T800-33 "	26.8	0.51	2.0	300	1	4.60	280x280x380
						1	30.5	840x840x920
040136	T900-36 "	32.6	0.65	2.0	400	1	4.60	280x280x380
						1	37.7	920x920x1000
040140	T1000-40 "	40.3	0.81	2.0	500	1	4.60	280x280x380
						1	53.6	1020x1020x1000
040144	T1100-44 "	49.0	0.99	2.0	600	1	4.60	280x280x380
						1	53.6	1130x1130x1180
040148	T1200-48 "	56.0	1.14	2.0	750	1	4.60	280x280x380
						1	66.7	1230x1230x1220
040156	T1400-56 "	76.3	1.56	2.0	1000	1	4.60	280x280x380
						1	85.7	1430x1430x1420

Code	040116	040118	040121	040122	040125	040128	040130	040133	040136	040140	040144	040148	040156
A	400	450	500	550	650	700	750	800	900	1000	1100	1200	1400
B	540	580	610	610	710	740	730	870	970	980	980	1160	1310
C	800	840	870	870	970	1000	1020	1160	1260	1270	1270	1450	1600

FILTRATION

BOBBIN WOUND FILTERS

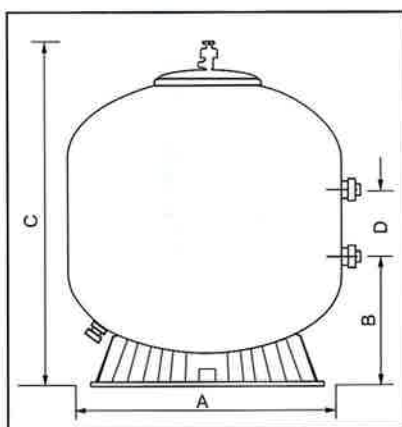
SIDE-MOUNT VALVE SAND FILTERS



JAZZI series side mount valve sand filters will provide clear water for commercial users. They produce more filtered water with less pump horsepower. The fiberglass winding design enables the filter to be durable, deforming-proof and corrosion resistant.

Features

- A unique and advanced design ensures fast draining and stabilizes water flow.
- The 6-position multi-port valve with a user-friendly handle easily provides you a maximum flow at low pressure drop.
- The sand filter comes with a precise pressure gauge.
- It is easy to install and to maintain.
- The outlet turbidity is less than 2FTU.
- Working pressure is 2.5 kgf/cm².



Code	Model	Design Flow m ³ /h	Filtration area m ²	Pipe size inch	Sand Required kg	Ctn. Qty.	G.W kg	Dimension mm
040216	S400-16 "	6.420	0.13	1.5	70	1	14.2	430x430x780
040218	S450-18 "	7.920	0.16	1.5	80	1	2.80	280x280x380
040221	S500-21 "	9.900	0.20	1.5	100	1	13.9	460x460x720
040222	S550-22 "	11.88	0.24	1.5	130	1	2.80	280x280x380
040225	S650-25 "	16.34	0.33	1.5	170	1	17.3	530x530x770
040228	S700-28 "	20.30	0.41	1.5	190	1	2.81	280x280x380
040230	S750-30 "	21.78	0.44	2.0	210	1	18.8	530x530x770
040233	S800-33 "	24.75	0.50	2.0	300	1	2.80	280x280x380
040236	S900-36 "	31.68	0.64	2.0	400	1	19.9	660x660x725
040240	S1000-40 "	39.10	0.79	2.0	500	1	2.80	280x280x380
040244	S1100-44 "	47.03	0.95	2.0	600	1	21.8	720x720x755
040248	S1200-48 "	55.94	1.13	2.0	750	1	2.80	280x280x380
040256	S1400-56 "	76.23	1.54	2.0	1000	1	4.98	350x290x435

Code	040216	040218	040221	040222	040225	040228	040230	040233	040236	040240	040244	040248	040256
A	400	450	500	550	650	700	750	800	900	1000	1100	1200	1400
B	300	300	300	300	320	345	345	420	530	540	540	660	770
C	680	710	740	740	800	800	810	920	1020	1020	1200	1210	1350
D	128	128	128	128	128	128	142	142	142	142	142	142	142