

The range of Leisuretime pool pumps have been purposefully designed to provide maximum performance and corrosion resistance at a realistic cost.

Ideal for small to medium domestic swimming pools and solar pool heating.



Leisuretime Pool Pump
Model LTP550

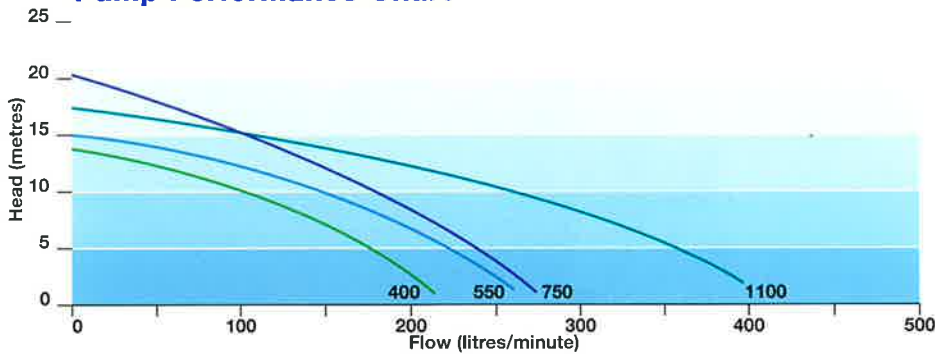
Typical Applications

- Swimming pools from 20,000 litres and up to 90,000 litres
- Solar heating circuits
- Above ground pools



Features	Benefits
IP55 (TEFC) motor	With IP55 protection from dust and water, your pump is preserved against the elements for many years and can be mounted outside. In addition, with a totally enclosed fan cooled motor the entry of vermin will be reduced.
Electrical approvals	Rest easy knowing your Leisuretime pool pump has passed all stringent Australian Standards AS/NZS 3136:2001 for safety and is approved for installation within the wetted zone of the pool area. Approvals V99108, V02301, V02302.
Elevated motor foot	Incorporating an elevated mount into the pump design keeps moisture well away from the motor.
Double coated endshield	Unique double zinc plated cast iron endshield for better corrosion protection extending the life of the pump.
Large hair and lint pot with see through lid	Easy to clean large hair and lint pot with a clear lid so you can check at a glance whether or not it is full.
Low friction lint pot o-ring	Having a low friction o-ring on the lint pot means you only need to tighten the lid by hand. No tools are necessary and because you only tighten by hand, removing the lid is also a simple task.

Pump Performance Chart



Disclaimers Every endeavour has been made to publish the correct details in this leaflet. No responsibility will be taken for errors, omissions or changes in product specifications. All performance data taken at sea level.

Operating Conditions

Suitable for pumping clean non-aggressive liquids without solids or fibres in suspension.

Fluid:	Water
Maximum working pressure:	270 kPa
Water (Swimming Pool) temp range:	5°C-35°C
Ambient temperature:	50°C maximum

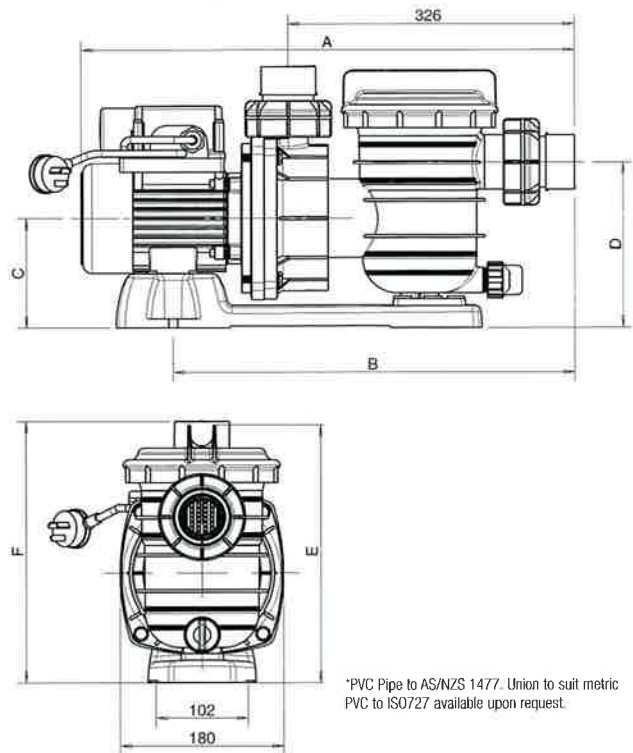
Motor

Type:	TEFC 2 pole
Nominal speed:	2800 rpm
IP rating:	IP55
Insulation class:	Class F
Thermal overload:	Internal
Temperature rise:	Class B
Frequency:	50Hz*
Voltage:	230-240*
Bearing type:	Deep groove ball bearing with double contact lip seal
Bearing temperature rating:	150°C

Materials

Component	Materials
Pump casing:	Glass filled ABS
Clacker:	Polypropylene
Impeller:	Glass filled ABS
Baffle:	Glass filled ABS
Drain plug:	Polypropylene
Diffuser:	Glass filled ABS
Basket:	HD polyethylene
Shaft sleeve:	Nylon
Motor shaft:	K-1137 steel
End shield:	Double zinc coated cast iron
Hair and lint pot O-ring:	Nitrile
O-rings:	Low friction nitrile
Barrel unions:	ABS
Hair and lint pot lid:	Polycarbonate
Cord/Plug:	Approved to AS/NZS 3112
Mechanical seal, 1/2" type 6 (LTP1100 = type 6 1/2")	
Flexible bellows:	Nitrile
Stationary face:	Ceramic
Rotating face:	Carbon
Spring:	304 stainless steel

Line Drawings



*PVC Pipe to AS/NZS 1477. Union to suit metric PVC to ISO727 available upon request.

Dimension Table

Pump Model	A (mm)	B (mm)	C (mm)	D (mm)	E (mm)	F (mm)
LTP400	556	454	91	152	254	260
LTP550	578	454	91	152	254	260
LTP750	578	454	91	152	254	260
LTP1100	587	448	91	152	254	260

Note: Dimension 'E' an additional 160mm clearance height required above the pump to remove strainer basket for maintenance and cleaning purposes.

Unless otherwise specified, all dimensions in mm.

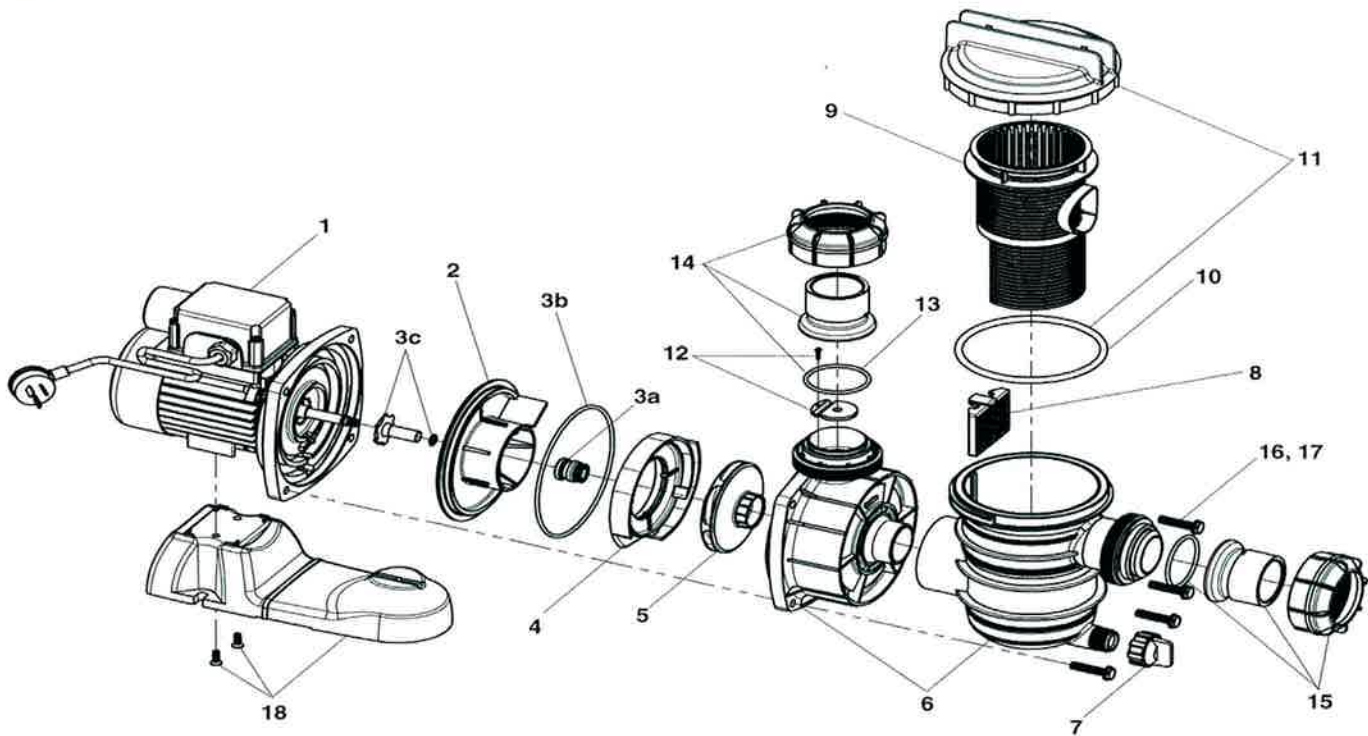
Fixing holes accept 8mm fasteners.

Model Data

Pump Model	Motor Kw (hp)	Supply Voltage (V)	Phase	Full Load Current (A)	Full Rotor Current (A)	Capacitor mfd	Sound Power Level (dBA*)	Supply Cord Length (m)	Net Weight (kg)	Packed Weight (kg)	Carton Dimensions (mm) L x W x H
LTP400	0.4 (1/2)	230	1	2.7	10	12	60	2	8	10	580 x 185 x 315
LTP550	0.5 (3/4)	230	1	3.5	17	20	59	2	8	10	580 x 185 x 315
LTP750	0.75 (1)	230	1	4.3	17	20	64	2	10	12	580 x 185 x 315
LTP1100	1.1 (1 1/2)	230	1	5.4	23	22	65	2	10	12	615 x 210 x 305

* dBA @ 1 metre

Service Parts



Items with suffix K are packaged for display

Model	LTP400	LTP550	LTP750	LTP1100
Part number	LTP400	LTP550	LTP750	LTP1100
Description	0.4kW	0.55kW	0.75kW	1.1kW

Item	Description	Qty	Part number			
1	Motor	1	801215	801215	801215	800644
2	Baffle	1	302060K	302060K	302060K	303350K
3	Mechanical Seal Kit (Inc. 3a,b,c)	1	800582K	800582K	800582K	800887K
3a	Mechanical Seal (Pack 25)	1	800901	800901	800901	800900
3b	O-ring Casing	1	702206K	702206K	702206K	702206K
3c	Shaft Sleeve Assembly	1	800894K	800894K	800894K	800895K
4	Diffuser	1	302200K	302200K	302190K	303460K
5	Impeller	1	504593K	510803	504823K	506840K
6	Casing & Bowl Assy. (Incl.7,8,9,10,11)	1	800410	800410	800410	800905
7	Plug - Drain	1	504605	504605	504605	504605
8	Guard - Finger	1	508210	508210	508210	508210
9	Basket Strainer	1	302310	302310	302310	302310
10	O-ring - Lid (Pack of 4)	1	702208K	702208K	702208K	702208K
11	Lid & O-ring (Screw Type)	1	800897K	800897K	800897K	800897K
12	Clacker Assembly	1	800904K	800904K	800904K	-
13	O-ring - Barrel Union (Pack of 4)	2	702193K	702193K	702193K	702193K
14	Barrel Union Assy (Incl. O-ring)	1	801213	801213	801213	801213
15	Barrel Union Assy (Complete)	1	800408	800408	800408	801213
16	Bolt 5/16"W (Set/12) w/ Washers	4	800903K	800903K	800903K	800903K
17	Nut 5/16"W S/S (Set/12)	4	800163K	800163K	800163K	800163K
18	Base & Screws Kit	1	304100	304100	304100	304100

Distributor Catalogue. Commercial in confidence. Pentair Water Pty Ltd account customers only.

© information contained here-in remains the property of Pentair Water Pty Ltd. Any reproduction, display, publication, modification or distribution is strictly prohibited without the prior written permission of Pentair Water Pty Ltd.
Disclaimer Every endeavour has been made to publish the correct details in this data sheet. No responsibility will be taken for errors, omissions or changes in product specifications. Pentair Water reserves the right to change specifications