

SunBrite™ II Lights

Halogen Quartz Underwater Lights - Inground Pools



SunBrite II



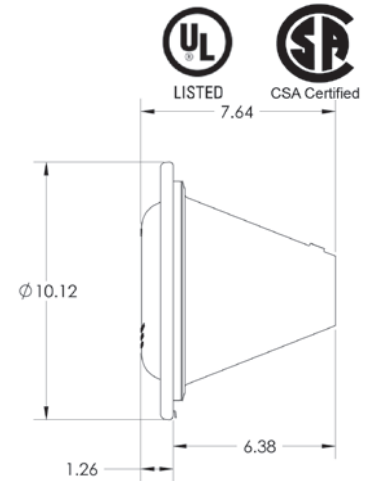
Featured Highlights

- Stainless Steel Construction – Lamp, face ring and lens clamp
- UL and CSA Listed – For fresh water
- Auto Protection – Internal cut-off device protects against overheating should water level drop
- Tempered, No-glare Lens – Aims light directly into the pool and prevents rays from leaving the water

Ordering Information

Product	Voltage	Wattage	Cord Length (Ft.)	Carton Wt (Lbs)
SUNBRITE II - LTC STAINLESS STEEL QUARTZ HALOGEN				
600150	12	100	30	5.3
600151	12	100	50	6.5
600152	12	100	100	9.5
600160	12	200	30	5.3
600161	12	200	50	6.5
600162	12	200	100	9.5
600170	120	300	30	5.3
600171	120	300	50	6.5
600172	120	300	100	9.5

NOTE: Sta-Rite does not recommend installing 12V lights with cord lengths greater than 50'. A significant voltage drop occurs which dramatically reduces the light output. Each pool or spa light should be installed with its own ground fault circuit interrupter (GFCI). UL has listed Sta-Rite lights for use with Pentair and Sta-Rite niches. To ensure proper grounding/bonding connections, install Sta-Rite lights only in Pentair or Sta-Rite niches.



See page 465 for replacement parts.

SwimQuip™ Lights



SwimQuip™ Underwater Light

Featured Highlights

- Materials of Construction – Utilizes a heavy copper shell
- High-impact Lens with many small prisms – Designed to reflect light rays throughout the pool, yet eliminates undue glare from above
- UL and CSA Listed – For fresh water

FOR REPLACEMENT ONLY: SwimQuip Niches have been discontinued.



Ordering Information

Product	Description	Cord Length (Ft.)	Carton Wt (Lbs)
SWIMQUIP UNDERWATER LIGHTS - 12 VOLT			
05082-0025	12 Volt Light, 300 Watt	25	13
05082-0050	12 Volt Light, 300 Watt	50	18
SWIMQUIP UNDERWATER LIGHTS - 120 VOLT			
05086-0025	120 Volt Light, 500 Watt	25	8
05086-0050	120 Volt Light, 500 Watt	50	10
05086-0100	120 Volt Light, 500 Watt	100	14
ACCESSORIES			
05070-0046	Snap-on Color Lens Accessory Kit (Red, Blue, Amber)	1	1

NOTE: 12 volt, 300 watt lights and 120 volt, 500 watt lights are U.L. and C.U.L. Listed (fresh water only). Sta-Rite does not recommend installing 12V lights with cord lengths greater than 50'. A significant voltage drop occurs which dramatically reduces the light output. Each pool or spa light should be installed with its own ground fault circuit interrupter (GFCI). UL has listed Swimquip lights for use with Swimquip niches. To ensure proper grounding/bonding connections, install only Swimquip in Swimquip niches.